



Model 57 Annunciator

FOR NUCLEAR FUEL STORAGE AND MANUFACTURING FACILITIES, BIOHAZARD MATERIAL MANUFACTURE AND HANDLING FACILITIES, AND EXPLOSIVES MANUFACTURING FACILITIES



ANNUNCIATOR

AMETEK's Model 57 self-contained single alarm point annunciator provides dedicated annunciation for a single field contact. Applications exist where a single process variable, or multiple isolated process variables, are so important to the success of the process or the safety of the plant personnel that a single point of dedicated annunciation has no substitute.

The Model 57 does not have or require a power supply. The unit is powered directly from either a 120 VAC or 125 VDC source. The annunciator connects to a dry contact in the field and provides the wetting voltage of 120 VAC or 125 VDC, dependent upon its power source. All units are suitable for wall mounting. Select either a NEMA 4 or 4X style enclosure. Acknowledge and test switch and integral bull's-eye lamp are standard. You have the option of selecting a factory-mounted strobe light and integral horn. The unit is field selectable to monitor a Normally Open or Normally Closed field contact. A retransmit output contact is available (N.O. or N.C.) and must be specified when ordering. We are dedicated to providing dedicated annunciation.

AMETEK's Model 57 annunciator can be found providing dedicated annunciation in facilities requiring the utmost protection such as those related to the manufacture and storage of nuclear fuel, biohazard material manufacture and handling, and explosives manufacturing. The unit is ideal for mounting in the field at the critical point being monitored. Safety and swift alarm notification are extremely important to all personnel involved in the manufacture, transfer or storage of hazardous materials. If your process leaves no room for error dedicated annunciation provided by AMETEK's self-contained Model 57 annunciator is for you!



FEATURES AND BENEFITS

- Provides dedicated annunciation
- Completely self-contained
- Weather proof wall mount enclosures
- Integral Ack/Test switch
- Integral bullseye lamp
- Optional factory mounted horn
- Optional factory mounted strobe light

AMETEK[®]

**POWER
INSTRUMENTS**

Experience the Power™

SPECIFICATIONS

Input Power Source

- 120 VAC, 220 VAC, 125 VDC or 24 VDC

Illumination

- Integral bullseye lamp
- Optional strobe light

Field Termination

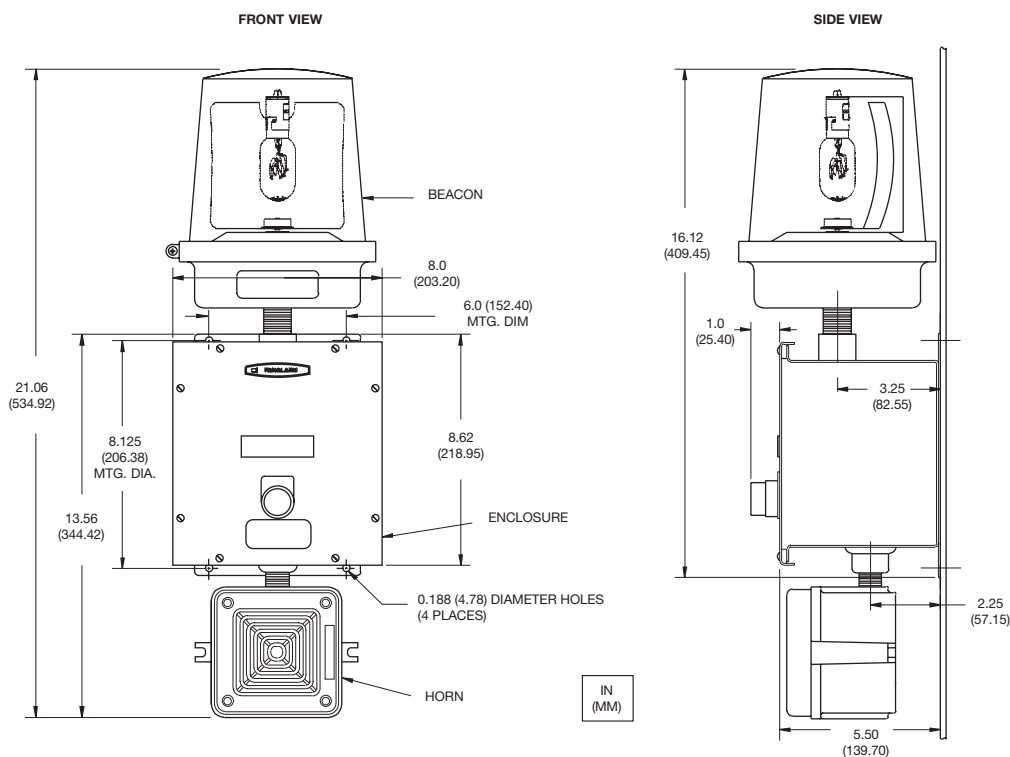
- 12 AWG solid or stranded wire

Cabinet

- NEMA 4 metal enclosure
- NEMA 4X plastic enclosure

Environmental

- Storage: -40° to 185°F (-40° to 85°C)
- Operating: 32° to 122°F (0° to 50°C)
- Hermetically sealed relay logic



NOTES:

1. ENCLOSURES FINISH, BLACK SATIN BAKED ENAMEL. WIRING BOX AND HORN, DIE CAST ALUMINUM ALLOY, GRAY HAMMER TONE FINISH. DIAPHRAGM STAINLESS STEEL BEACON, GRAY CASE BASE.



For customer support call:

POWER INSTRUMENTS
 1725 Western Drive
 West Chicago, IL 60185
 Tel: 630.231.5900
 Fax: 630.231.4502
 power.sales@ametek.com

HEADQUARTERS
 AMETEK Power Instruments
 50 Fordham Road
 Wilmington, MA 01887
 Tel: 978.988.4903
 Fax: 978.988.4990
 power.sales@ametek.com

EUROPEAN HEADQUARTERS
 Unit 20, Ridgeway
 Donibristle Industrial Estate
 Dalgety Bay, Dunfermline, KY119JN
 Scotland U.K.
 Tel: 44.1383.825630
 Fax: 44.1383.825715
 power.sales@ametek.com

ASIA PACIFIC HEADQUARTERS
 10 Ang Mo Kio Street 65
 #05-12 Techpoint
 Singapore 569059
 Tel: 65.484.2388
 Fax: 65.481.6588



ISO 9001 Certified