

AN-3196B LED Annunciator

- 12 Point, Fully Self-Contained Annunciator
- CSA Approved, Ordinary Locations
- FM Approved, Ordinary and Division 2 Locations (AC horn only)
- Expands Existing Annunciators Through Two Reflash Outputs
- Isolated Inputs
- Fully Field Switch Programmable
- AC/DC Field Contact Voltage
- Available in Panel Mount, Surface Mount or NEMA Enclosure
- MODBUS Communications Option

The AN-3196B is a self contained, compact LED annunciator with reflash capability. It can be used as a stand-alone annunciator or to enhance or expand other annunciators.

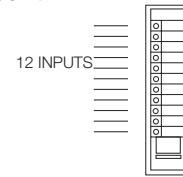
This model offers dependable indication of alarms via red LEDs with adjacent descriptive legend plates. Each unit comes complete with 12 inputs, integral control push buttons, power supplies, output relays for reflash to another annunciator, and audible alarming capabilities.



Stand Alone Annunciator

The AN-3196B is a self-contained 12-point annunciator that can alert personnel locally through both flashing LED's and external audible devices. This annunciator is a low cost method of providing annunciator benefits to remote locations.

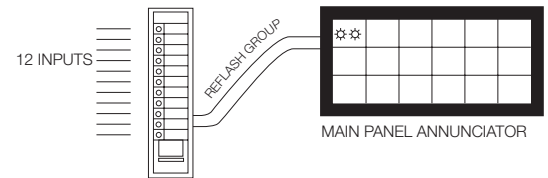
Panel Mount



Annunciator Expansion

The reflash output relays on the AN-3196B can be used to combine up to 12 new inputs to alarm a single full-size window of an existing annunciator. Reflash can be used to add additional points to non-expandable annunciators and when it is undesirable to reduce the window size on an internally expandable annunciator.

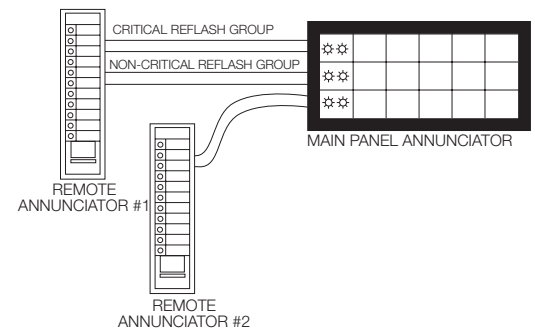
Additional Points For Existing Annunciator Systems



Remote Monitoring with Reflash

The AN-3196B can provide detailed alarm data to local personnel and reflash the alarms to a control room annunciator. The reflash data often provides sufficient general information about alarms occurring at remote locations for operators to react properly, and detailed alarm data is available on the AN-3196B LED display if required. Cost savings are realized through the reduction in wiring and control room annunciator size.

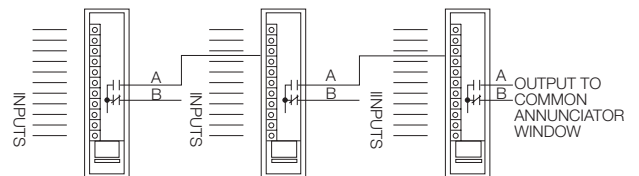
Multiple Remote Units With Output To Main Panel Annunciator



Multiple Remotes to One Common Window

Multiple AN-3196Bs can be linked together by using a reflash output from one unit as an input to another. The last AN-3196B can reflash the alarm data from all of the units to a single window in a control room annunciator.

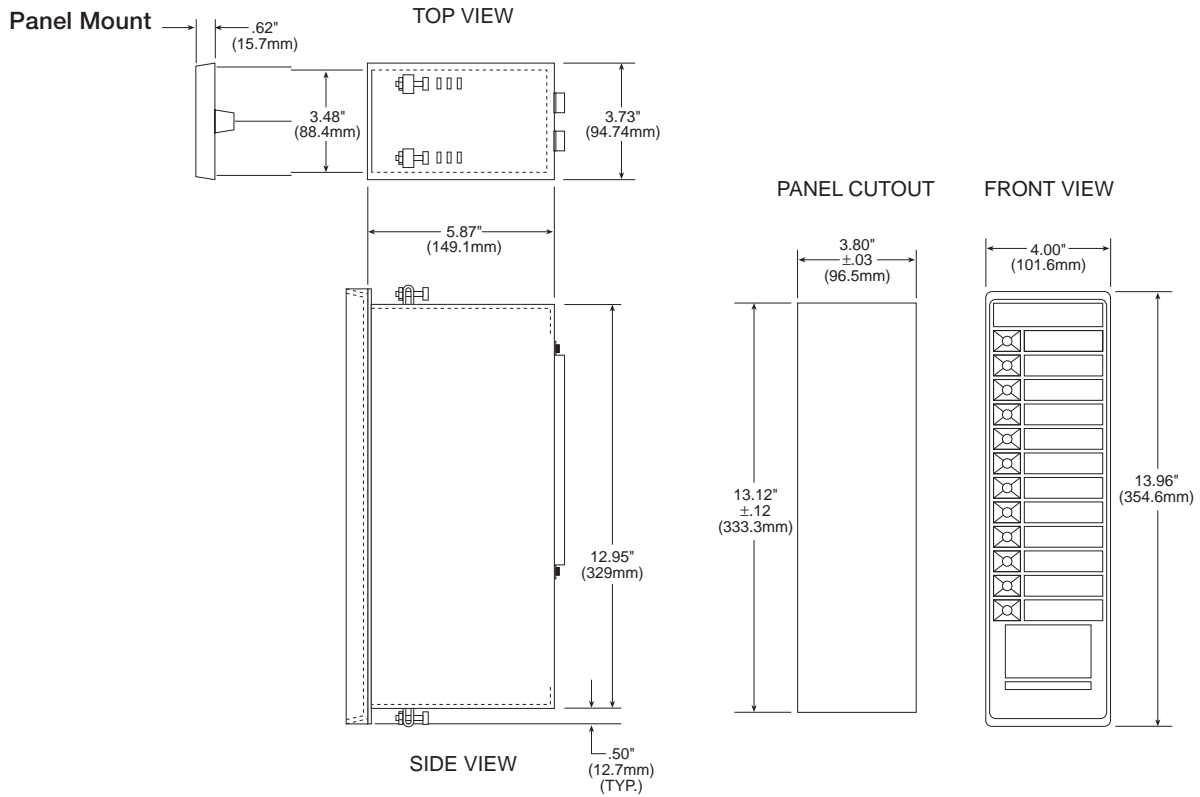
Multiple Remotes With Outputs To One Common Annunciator Window



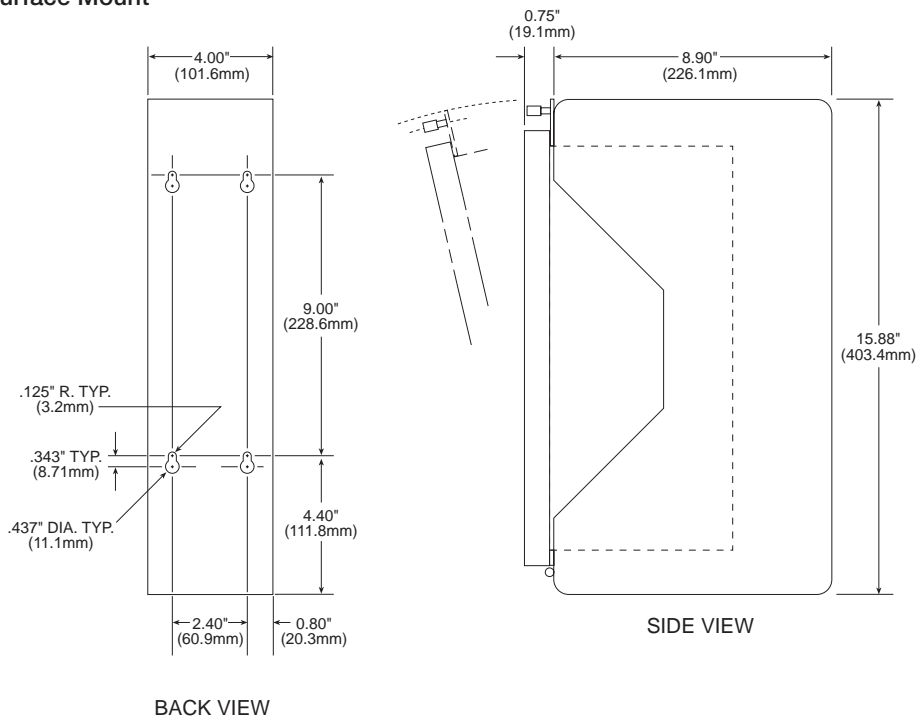
AMETEK

Alarm and Event Recording

AN-3196B Dimensions & Connections

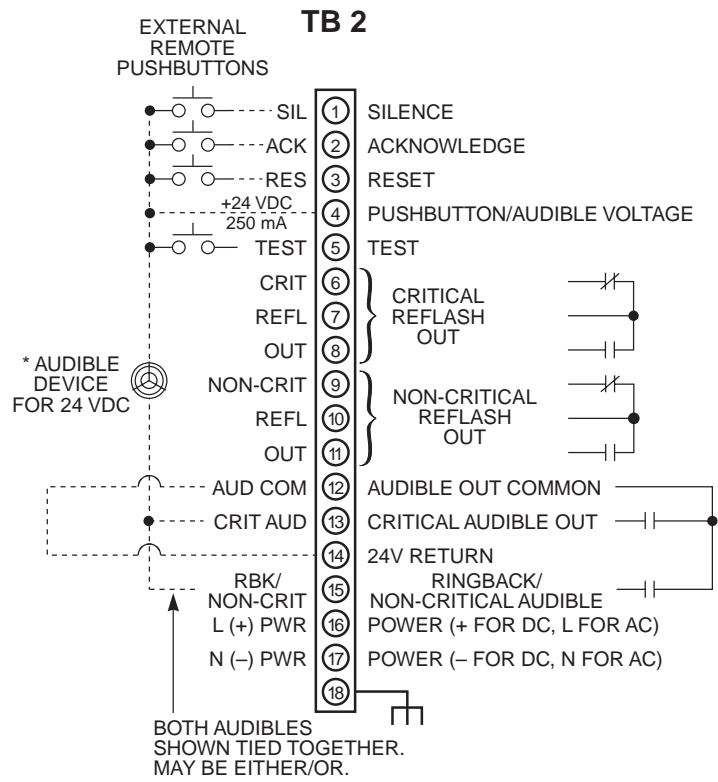


Surface Mount



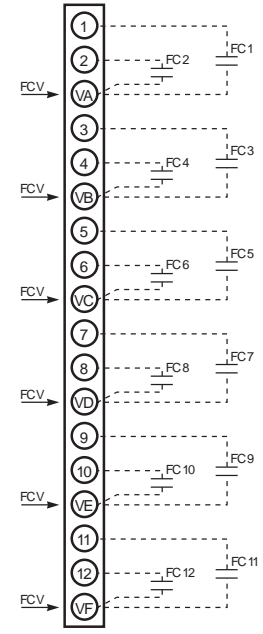
AMETEK

Alarm and Event Recording

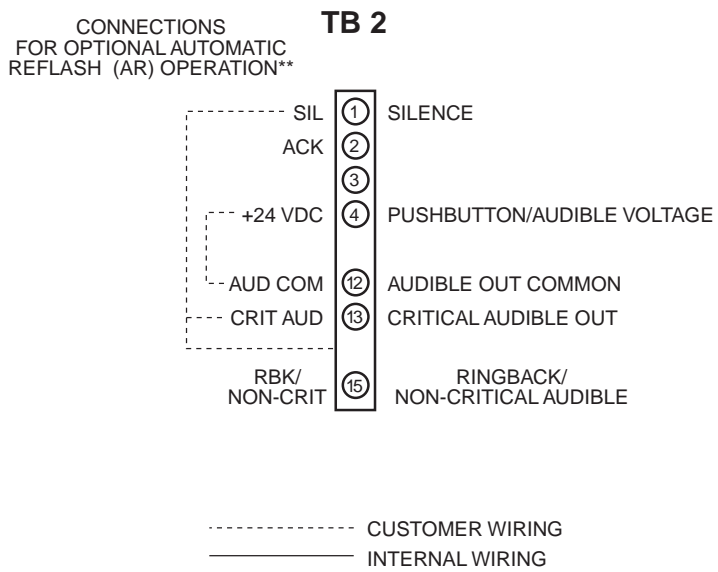


* FOR OTHER AUDIBLE DEVICES
REF DWG 1072-030

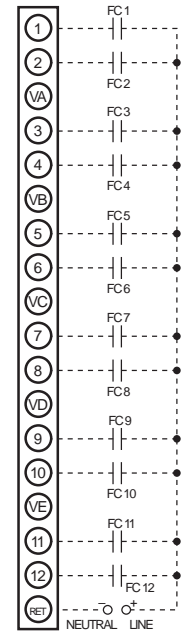
TB 1
FIELD CONTACT CONNECTIONS
INTERNALLY SUPPLIED FCV



NOTE: FIELD CONTACTS MAY BE ANY COMBINATION OF NO OR NC.



TB 1
FIELD CONTACT CONNECTIONS
EXTERNALLY SUPPLIED FCV



NOTE: OTHER CONFIGURATIONS AVAILABLE. CONTACT FACTORY OR LOCAL REP FOR MORE INFORMATION.

** Recommended configuration for remote AN-3196B reflash output to main annunciator, where audible function in remote location is not required. This hook-up is not compatible with audible device hook-up shown in above diagram.

AN-3196B Specifications

Input Signals:

NO or NC contacts, switch selectable

Output:

- A. LED indicator per point
- B. Audible and Reflash Output Relay
Contacts rated at:
5 amperes at 24 VDC or
120 VAC resistive
3 amperes at 120 VAC resistive
- C. Optional remote mounted audible devices
- D. 24 VDC @ .25 A available for driving audible device

Ambient Temperature Range:

32°F to 140°F (0°C to 60°C)

Relative Humidity:

0% to 95% (non-condensing)

Power Source and Requirements:

- A. 120 VAC: 120 VAC ± 10%, 50-60Hz at 100 mA maximum
- B. 240 VAC: 240 VAC ± 10%, 50-60Hz at 50 mA maximum
- C. 125 VDC: 105 VDC to 140 VDC at 100 mA maximum
- D. 24 VDC: 20 VDC to 28 VDC at 400 mA maximum
- E. 48 VDC: 44 VDC to 52 VDC at 250 mA maximum

Terminals:

Screw Barrier type
12 AWG wire maximum

Controls:

Integral Test, Acknowledge, Silence and Reset pushbuttons

Field Contact Voltage:

- A. Isolated, internally supplied 125 VDC or 24 VDC for 48 VDC, 125 VDC, 120/240 VAC Prime Power
- B. Non-isolated, internally supplied 24 VDC for 24 VDC prime power or 48 VDC for 48 VDC prime power
- C. Isolated externally supplied 125 VDC, 48 VDC, 24 VDC, 120 VAC

Enclosures:

General purpose standard panel or surface mount enclosures.

Labeling:

Black lamacoid legend plates with white lettering for each point, plus one for unit identification (see engraving information)

Isolation: 1700 VDC

Surge Withstand Capability (SWC):

Test conforms to ANSI /IEEE C37.90.1-1989 (oscillatory) and IEC 801-4 Level 2

Weight: 9 lbs. (4.09 kg) Panel Mount
53 lbs. (24 kg) in NEMA Enclosure

Sequence Selection:

Chose from 9 available sequences by DIP switch selection. Only one sequence can be selected at any given time for all 12 alarm points. The 9 available sequences are listed under Ordering, Item 1 and are defined on Page 2.15.

Legend Plate Engraving Sizes		
Letter Size	Maximum # of lines	Maximum # of characters per Line
1/8" (3.2mm)	3	22
5/32" (4mm)	3	18
3/16" (4.8mm)	2	14
1/4" (6.4mm)	1	11
Other sizes available upon request.		

AN-3196B Ordering

The AN-3196B is supplied in the following versions, stocked and immediately available from the factory. Individual model numbers are defined by the following fill-in items:

AN-3196B- 1 - 2 - 3 - 4 - 5 - 6 - 7
 Sequence Prime Field Contact Audible Reflash Enclosure Communications
 Power Voltage Options

Item 1 Sequence

Chose from these available sequences:

A FFAM2
 F2M-1 A-4
 M R12
 F1A F2A
 F3A A4
 R

Item 2 Prime Power

F 24 VDC
 E 48 VDC
 C 125 VDC
 B 120 VAC
 A 240 VAC

Item 3 Field Contact Voltage

Internally Supplied

D 125 VDC
 X 24 VDC
 T 48 VDC

Customer Supplied

D/C 125 VDC Isolated
 X/C 24 VDC Isolated
 T/C 48 VDC Isolated
 Y/C 120 VAC Isolated

Item 4 Audible Options

*SNS Sonalert Steady Tone
 Remote Mount
 *SNP Sonalert Pulsing
 Remote Mount
 HAC 120 VAC Remote Horn
 HDC 24 VDC Remote Horn
 HDH 125 VDC Remote Horn
 NR Not Required
 *Audible device not integrally mounted in NEMA 4/12 enclosure.

Item 5 Reflash Option

AR Automatic Reflash
 MR Manual Reflash (Standard)

Item 6 Enclosure

PM Panel Mount
 SM Surface Mount
 4WM Wall mount, NEMA 4
 SCM Series Contact Monitor Inputs

Item 7 Communications

Port 1 Serial Modbus