

## AC Current/Voltage Alarms ET-1200L/U ET-1202L/U

- AC current/voltage input
- Single or dual trips
- Fixed deadband
- Conforms to IEEE SWC Test



These single and dual trip alarms accept AC current or voltage inputs (field alterable) and provide one DPDT 5 amp (ET-1200L/U or two SPDT 5 amp (ET-1202L/U) universal relay contact outputs. Basic input spans are 16 to 200 VAC or 0-1 to 0-7.5 amps.

All models come with fixed deadband less than 0.5% of span. Response time is less than 400 milliseconds. The frequency range of all models is 50-500 Hz. Series 1200 ac current/voltage alarms conform to the IEEE SWC test.

### Specifications

#### Inputs:

- Any AC current from 0-1 amp to 0-7.5 amps AC, burden less than 0.5 VA
- Any AC voltage from 0-16 to 0-200 VAC signal, burden less than 1.5 VA

**Input Frequency Range:** 50-500 Hz

#### Input Surge Capability:

AC Current: 20 amps continuous; 250 amps for 1 second per hour

AC voltage: 200% of input specified, continuous

**Deadband:** Fixed deadband; less than 0.5% of span

#### Outputs:

- single relay: one DPDT contact rated 5 A at 30 VDC; 5A at 250 VAC resistive
- dual relay: two SPDT contacts rated 5 A at 30 VDC; 5 A at 250 VAC resistive
- standard LED: alarm display to indicate trip condition

#### Optional Outputs:

- contacts rated at 10 A at 28 VDC or 115 VAC resistive (T10 option); not available on the P-11 enclosure; uses dual slot on the A-12 enclosure
- environmentally-sealed contacts rated 2 A at 30 VDC or 115 VAC resistive (D option)

**Repeatability:**  $\pm 0.1\%$  of span, maximum

**Response Time:** Less than 400 milliseconds

# AMETEK

## Signal Conditioning

### Controls:

ET-1200L/U: Multiturn trip-set potentiometers with clockwise rotation to increase setting

ET-1202L/U: Two multiturn trip-set potentiometers with clockwise rotation to increase setting

**Trip Set Adjustment:** 0-100% continuous, independent adjustment per trip-set point by infinite resolution potentiometer

### Trip Point Stability and Drift:

For 25° to 125°F (-4° to 52°C):  
±0.5% of span maximum for a 50°F (28°C) change in ambient temperature;  
±0.2% typical

### LED Visual Indication of Alarm Condition:

ET-1200L/U: One

ET-1202L/U: Two

**Relay Action:** Specify normally energized (failsafe) or de-energized (non-failsafe)

ET-1200L/U: Hi Trip or Lo Trip

ET-1202L/U: Hi/Lo Trip  
Lo/Hi Trip  
Hi/Hi Trip or  
Lo/Lo Trip

### Ambient Temperature Range:

0° to 140°F (-18° to 60°C)

### Operating Power Supplies:

- 115 VAC ±20%, 50/60 Hz 5 watts (standard)
- 24 VDC +20%-15%, 3.5 watts, H suffix (non-isolated)
- 230 VAC ±20%, 50/60 Hz, 5 watts (H2 suffix)
- 115 VAC ±10%, 60 Hz, 5 watts (H3 suffix; P-11 or A-12 option)
- 115 VAC ±10%, 50/60 Hz, 5 watts (H4 suffix; P-11 or A-12 option)
- 230 VAC ±10%, 50/60 Hz, 5 watts (H5 suffix; P-11 or A-12 option)
- 24 VDC ±20%, 4.5 watts (I suffix; isolated)
- 48 VDC ±20%, 5 watts (I1 suffix; isolated)
- Refer to Option section for a complete list of options for each model.

**Power Supply Effect:** ±0.15% for specified power variation

**Isolation:** 600 VAC or 1000 VDC input/output/power for the AC or isolated DC power version

**Net Weight:** 3.4 lbs (1.54 kg) approximate

### Enclosures:

- single unit surface mount (standard)
- A-12, high-density, 19" rack or surface mount with front access terminal blocks; units with AC input require 2 slots
- NEMA 4 and 12, from one to 24 units
- explosion-proof single unit; FM approved for Class 1, Division 1, Groups C and D
- Refer to Options section for a complete list of options for each model

### Agency Approvals:

FM approved for ordinary locations and hazardous locations Divisions 1 and 2, Class I, Groups C & D; Class II, Groups E, F & G. Ametek explosion-proof housing required for hazardous locations.

### Ordering Information:

refer to pages 7.38, 7.39

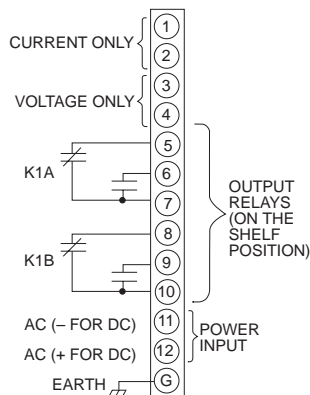
### Dimensions:

refer to page 7.40

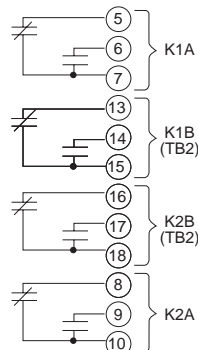
## ET-1200L/U and ET-1202L/U

### Connections

#### ET-1200L/U



#### T2 Option ET-1200 L/U only



#### ET-1202L/U

