

# Model 57 Annunciator

FOR NUCLEAR FUEL STORAGE AND MANUFACTURING FACILITIES, BIOHAZARD MATERIAL MANUFACTURE AND HANDLING FACILITIES, AND EXPLOSIVES MANUFACTURING FACILITIES



## ANNUNCIATOR

AMETEK's Model 57 self-contained single alarm point annunciator provides dedicated annunciation for a single field contact. Applications exist where a single process variable, or multiple isolated process variables, are so important to the success of the process or the safety of the plant personnel that a single point of dedicated annunciation has no substitute.

The Model 57 does not have or require a power supply. The unit is powered directly from either a 120 VAC or 125 VDC source. The annunciator connects to a dry contact in the field and provides the wetting voltage of 120 VAC or 125 VDC, dependent upon its power source. All units are suitable for wall mounting. Select either a NEMA 4 or 4X style enclosure. Acknowledge and test switch and integral bull's-eye lamp are standard. You have the option of selecting a factory-mounted strobe light and integral horn. The unit is field selectable to monitor a Normally Open or Normally Closed field contact. A retransmit output contact is available (N.O. or N.C.) and must be specified when ordering. We are dedicated to providing dedicated annunciation.

AMETEK's Model 57 annunciator can be found providing dedicated annunciation in facilities requiring the utmost protection such as those related to the manufacture and storage of nuclear fuel, biohazard material manufacture and handling, and explosives manufacturing. The unit is ideal for mounting in the field at the critical point being monitored. Safety and swift alarm notification are extremely important to all personnel involved in the manufacture, transfer or storage of hazardous materials. If your process leaves no room for error dedicated annunciation provided by AMETEK's self-contained Model 57 annunciator is for you!



## FEATURES AND BENEFITS

- Provides dedicated annunciation
- Completely self-contained
- Weather proof wall mount enclosures
- Integral Ack/Test switch
- Integral bullseye lamp
- Optional factory mounted horn
- Optional factory mounted strobe light

**AMETEK**<sup>®</sup>

**POWER  
INSTRUMENTS**

*Experience the Power™*

## SPECIFICATIONS

### Input Power Source

- 120 VAC, 220 VAC, 125 VDC or 24 VDC

### Illumination

- Integral bullseye lamp
- Optional strobe light

### Field Termination

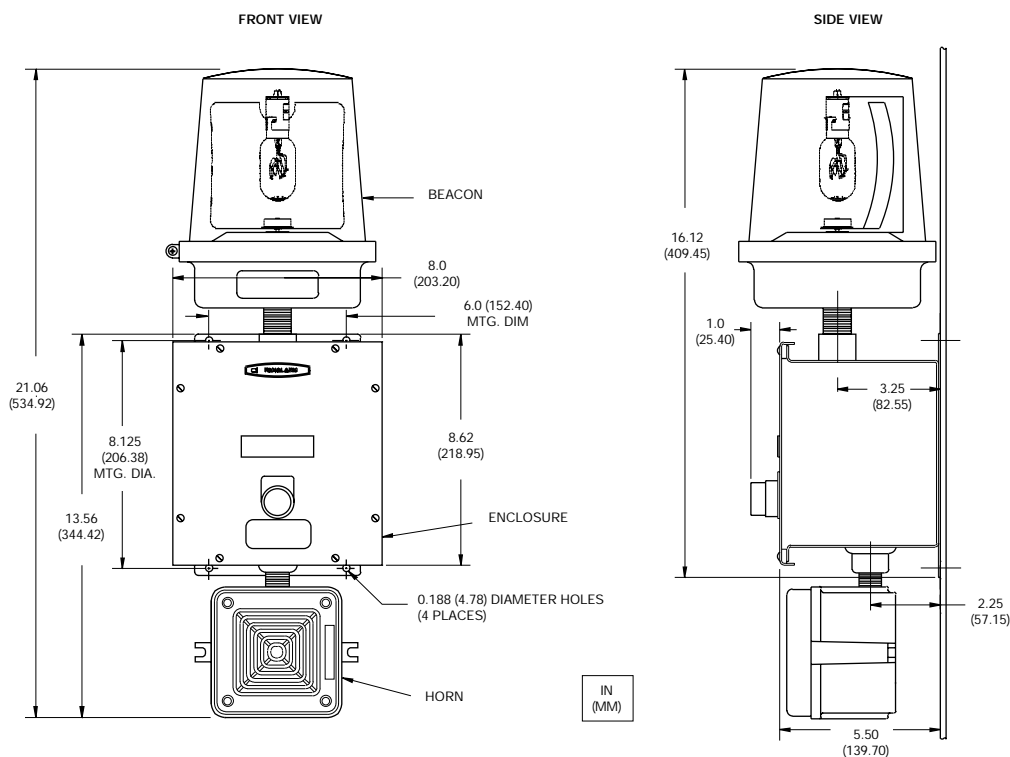
- 12 AWG solid or stranded wire

### Cabinet

- NEMA 4 metal enclosure
- NEMA 4X plastic enclosure

### Environmental

- Storage: -40° to 185°F (-40° to 85°C)
- Operating: 32° to 122°F (0° to 50°C)
- Hermetically sealed relay logic



NOTES:

1. ENCLOSURES FINISH, BLACK SATIN BAKED ENAMEL. WIRING BOX AND HORN, DIE CAST ALUMINUM ALLOY, GRAY HAMMER TONE FINISH. DIAPHRAGM STAINLESS STEEL BEACON, GRAY CASE BASE.



For customer support call:

#### POWER INSTRUMENTS

1725 Western Drive  
West Chicago, IL 60185  
Tel: 630.231.5900  
Fax: 630.231.4502  
power.industrial@ametek.com

#### HEADQUARTERS

AMETEK Power Instruments  
50 Fordham Road  
Wilmington, MA 01887  
Tel: 978.988.4903  
Fax: 978.988.4990  
power.industrial@ametek.com

#### EUROPEAN HEADQUARTERS

Unit 20, Ridgeway  
Donibristle Industrial Estate  
Dalgety Bay, Dunfermline, KY119JN  
Scotland U.K.  
Tel: 44.1383.825630  
Fax: 44.1383.825715  
sales@ametekuk.com

#### ASIA PACIFIC HEADQUARTERS

10 Ang Mo Kio Street 65  
#05-12 Techpoint  
Singapore 569059  
Tel: 65.484.2388  
Fax: 65.481.6588



ISO 9001 Certified