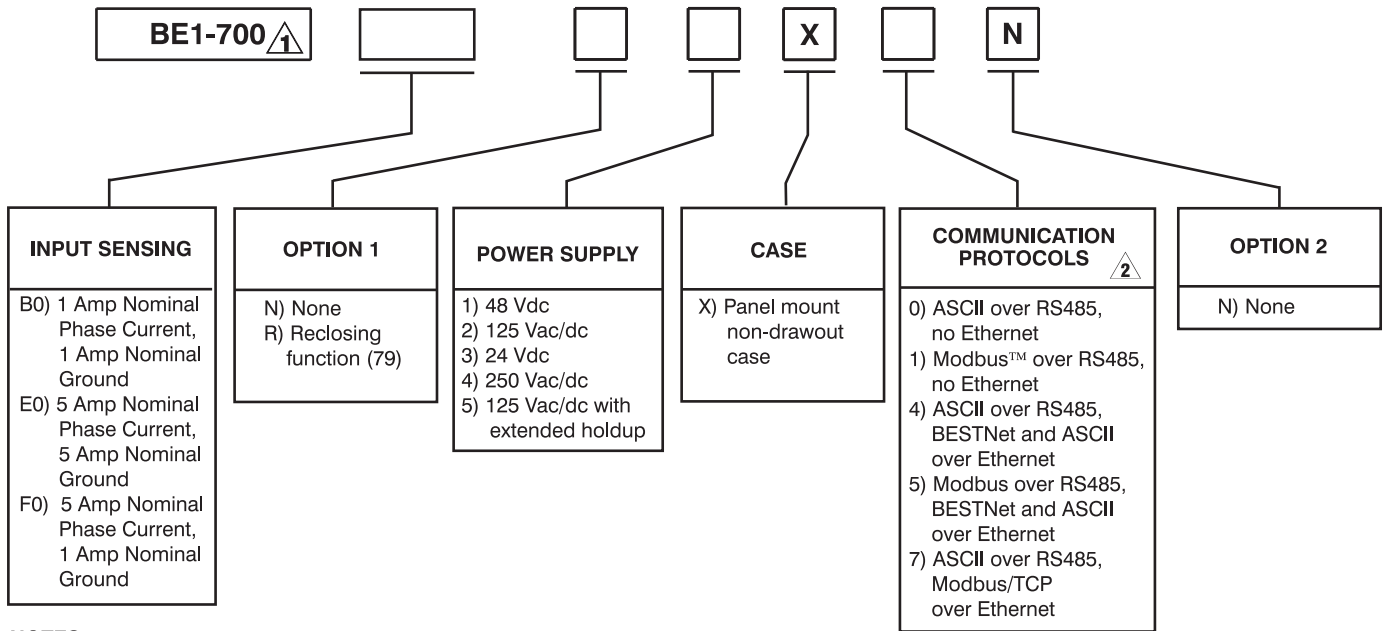


ORDERING

SAMPLE STYLE NUMBER

The style number identification chart below defines the electrical characteristics and operation features included in the BE1-700C relay. For example, if the style number were **BE1-700 F0R4X5N**, the device would have the following:

- BE1-700** Digital Overcurrent Protective Relay
- (F0)** - 5 Amp Nominal Phase Current with 1 Amp Nominal Ground Input
- (R)** - Reclosing
- (4)** - 240 Vac/dc Power Supply
- (X)** - Panel mount case
- (5)** - Modbus over RS-485, BESTNet and ASCII over Ethernet
- (N)** - Not applicable



NOTES:

NOTES:

- ¹ Order Confirmations will show BE1-700, not BE1-700C.
- ² ASCII communications is standard on Com 0 (front RS-232).